

## 1977 Sofa

### Assembly | User Guide

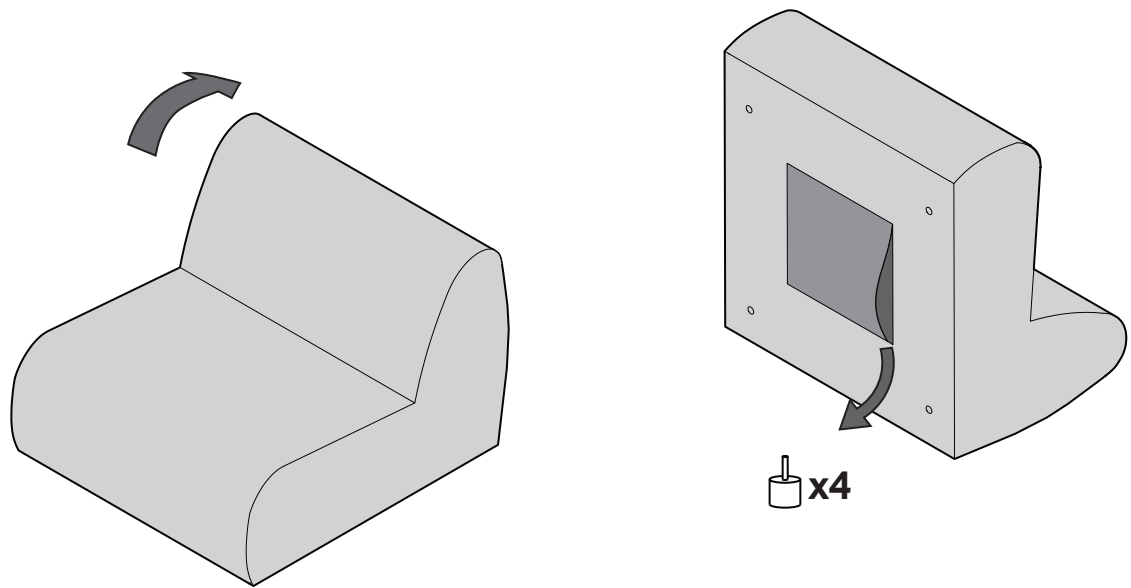
Two people are required for safe assembly

#### Opening Boxes:

DO NOT use a knife to open the packaging as you may damage your furniture.  
Peel off the tape, then lift & separate the cardboard flaps to open.

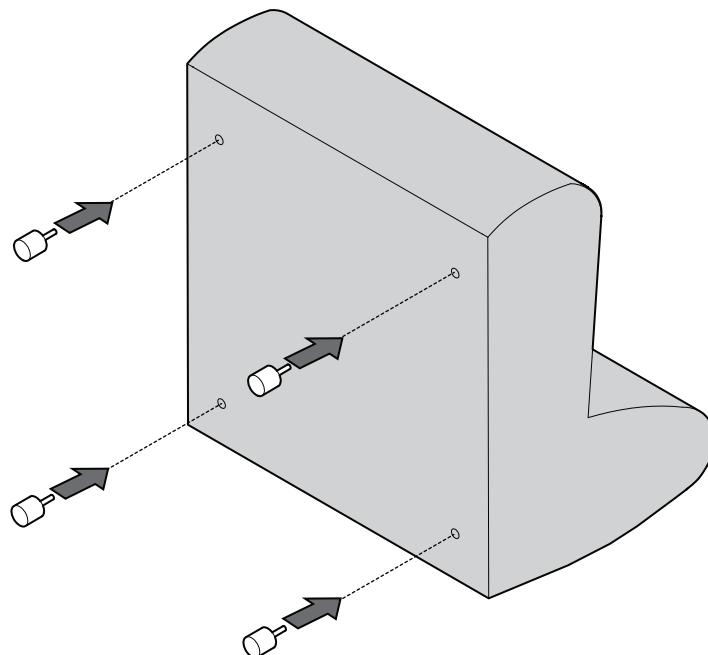
Assemble your furniture by following the instructions below.

1

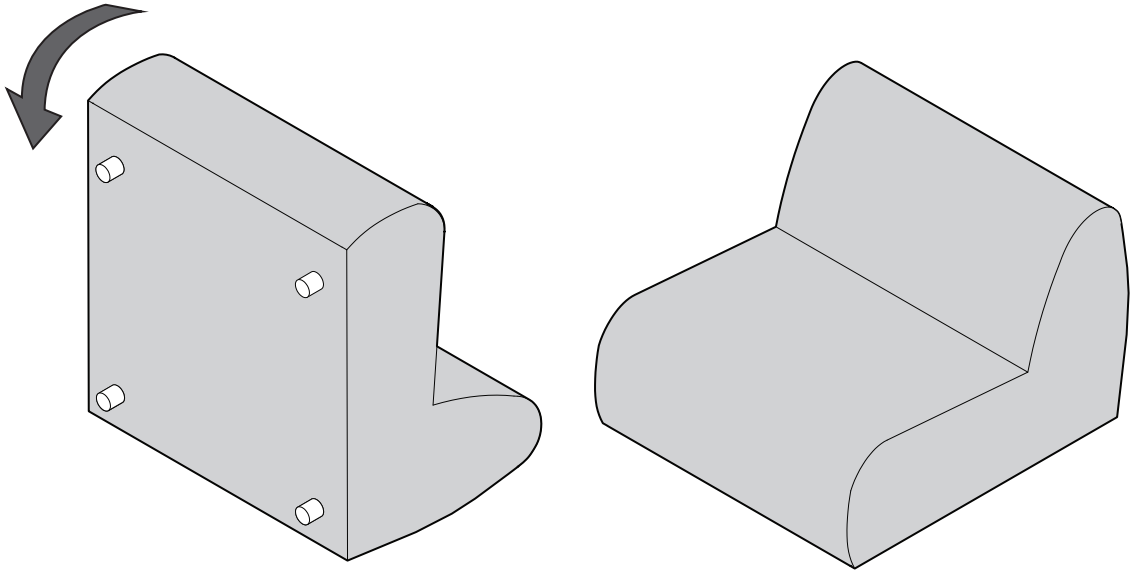


2

 x4

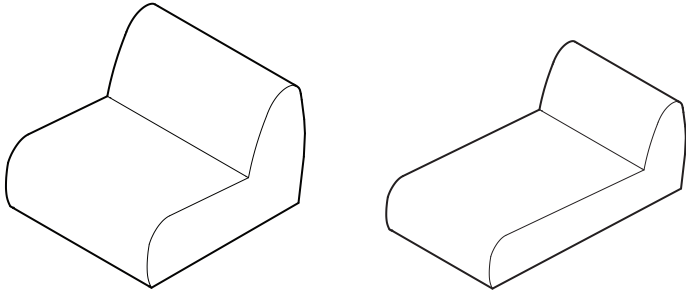


3

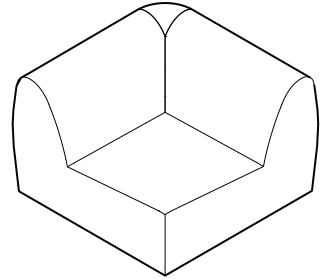


## 1977 Sofa

### Cover Removal & Installation | User Guide



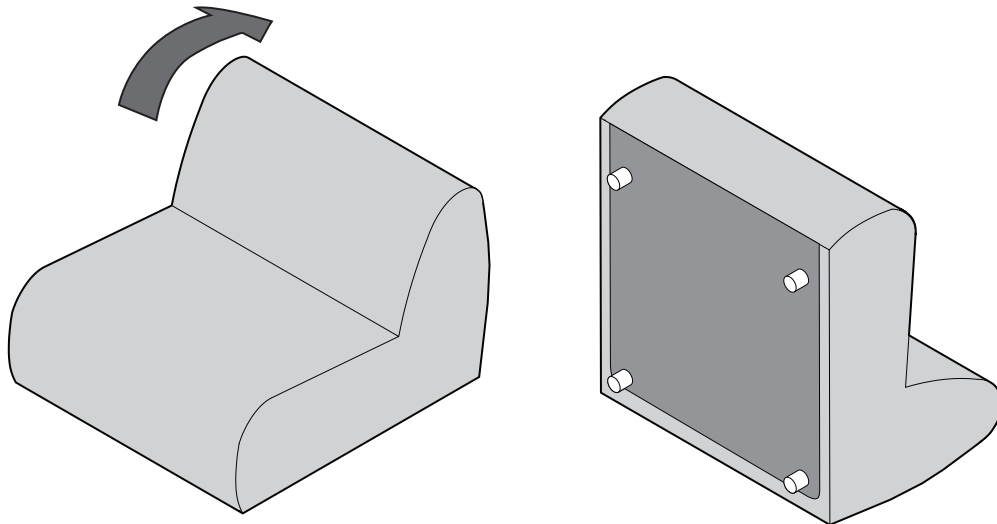
See Below



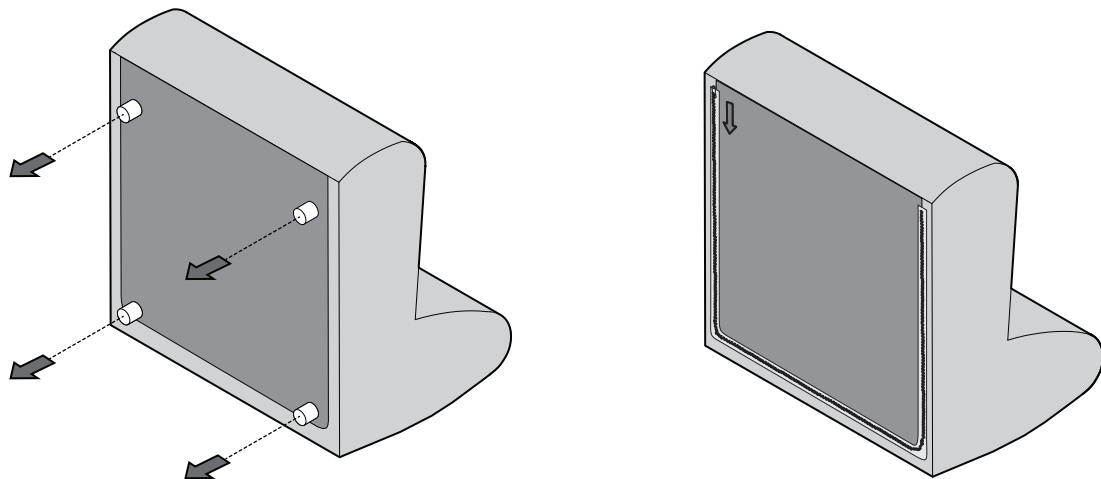
See Corner Removal & Installation

## Chair & Chaise Cover Removal

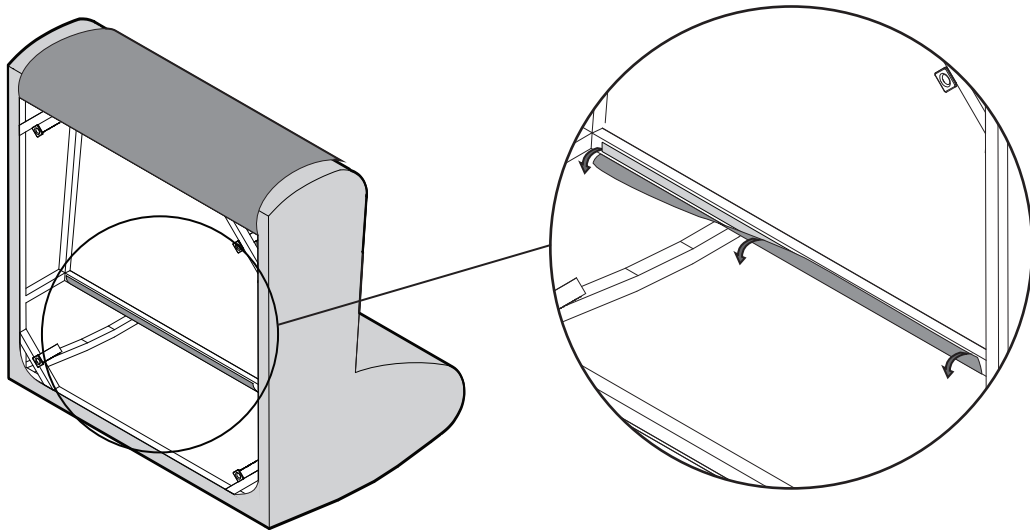
1



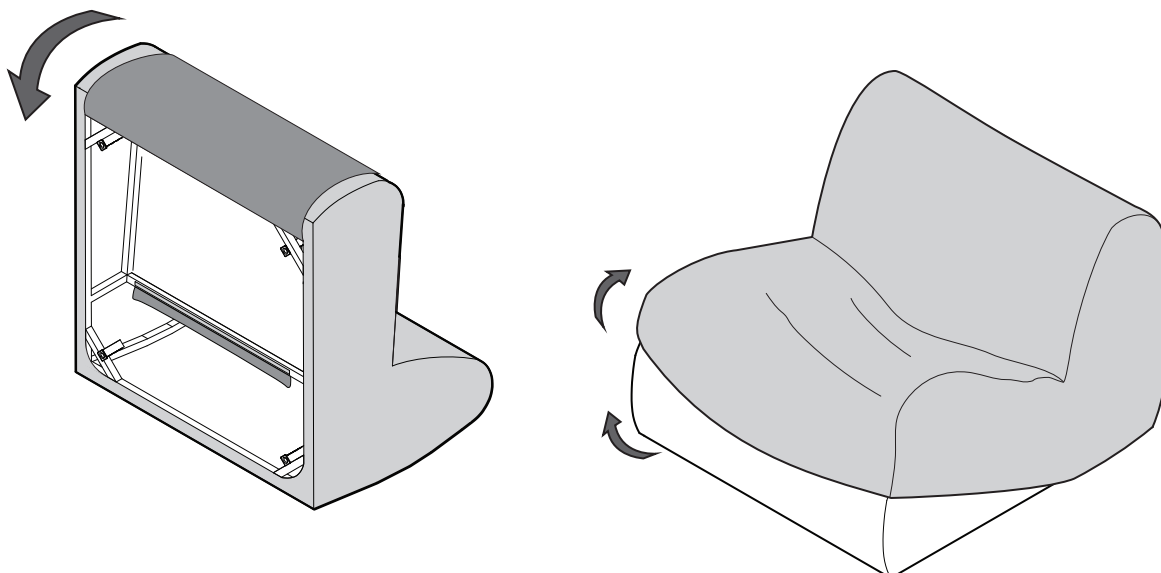
2



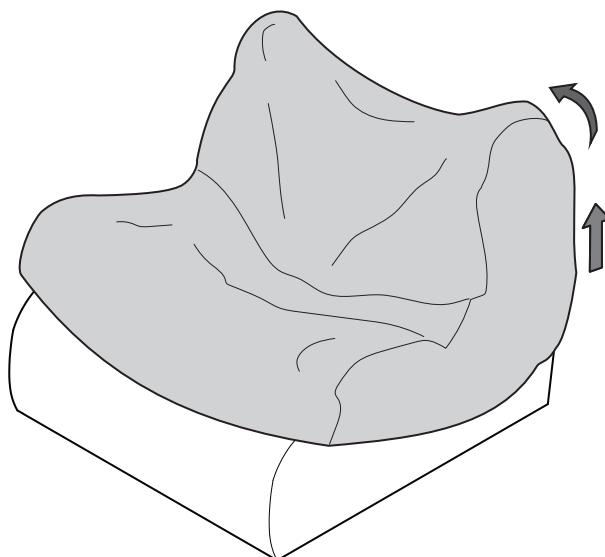
3



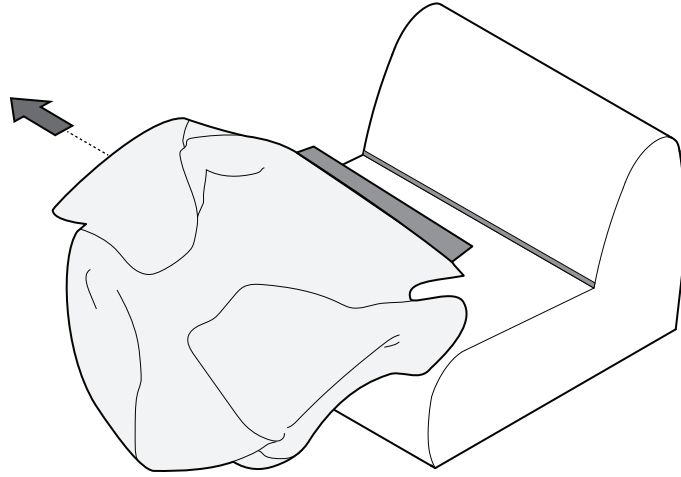
4



5

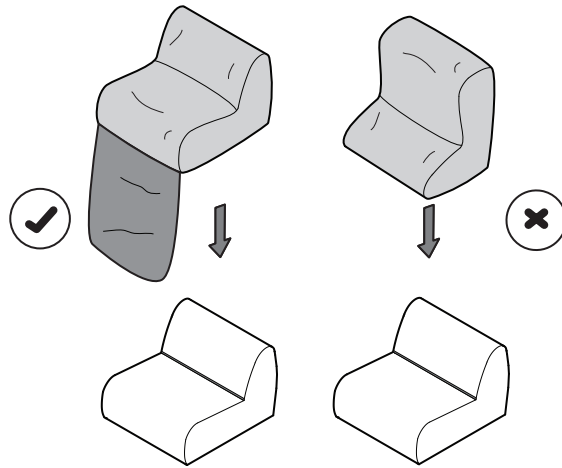


6



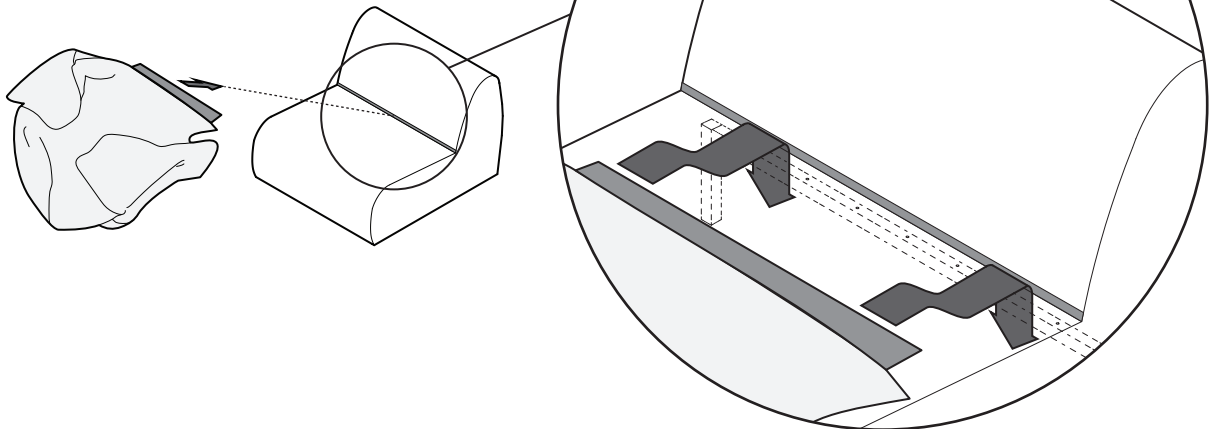
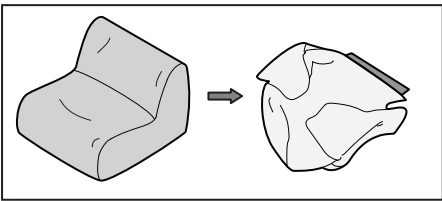
## Chair & Chaise Cover Installation

1

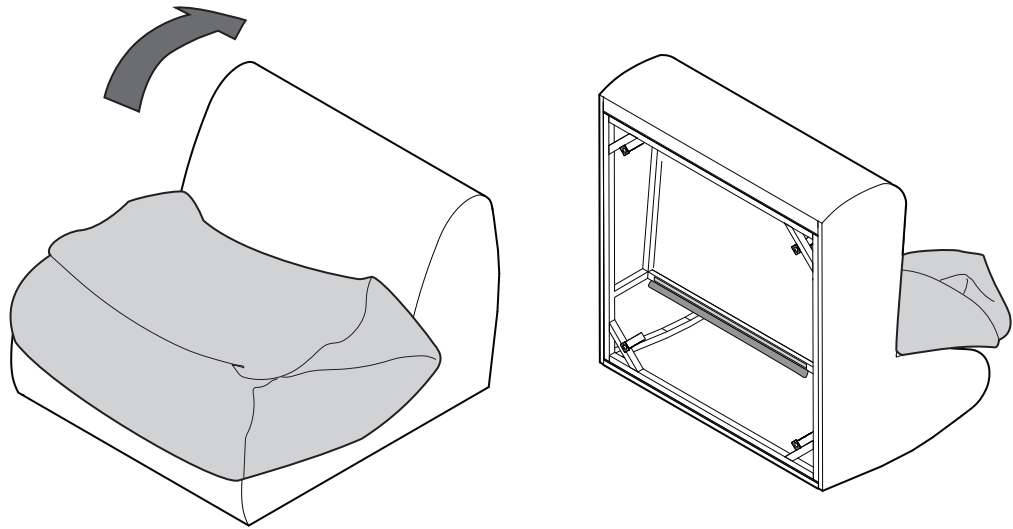


Line up side panels of cover and module before applying cover

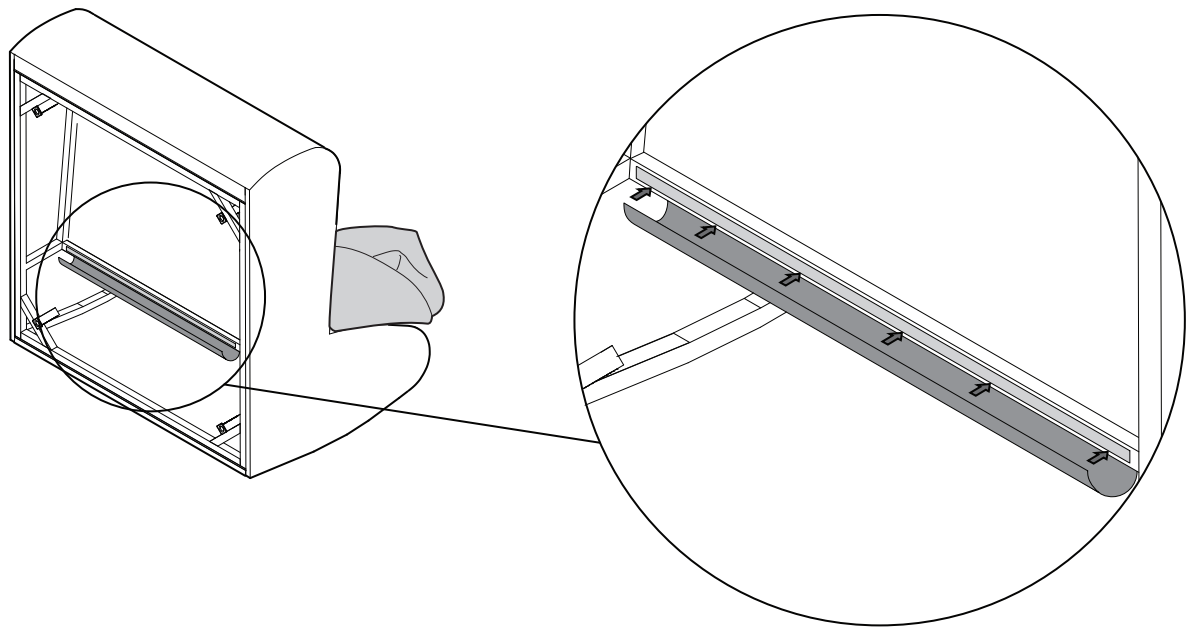
2



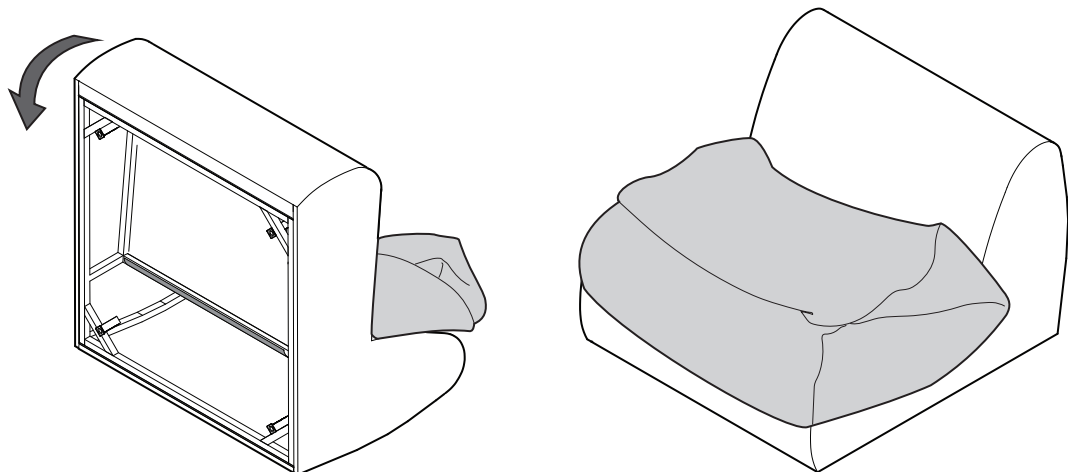
3



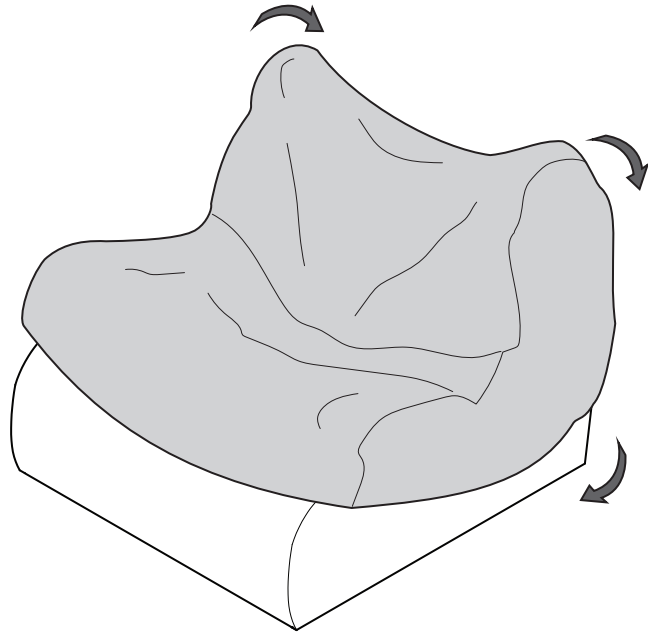
4



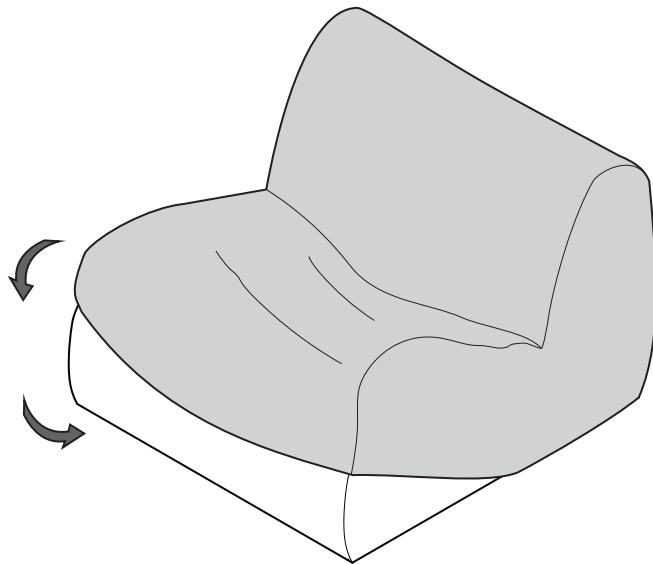
5



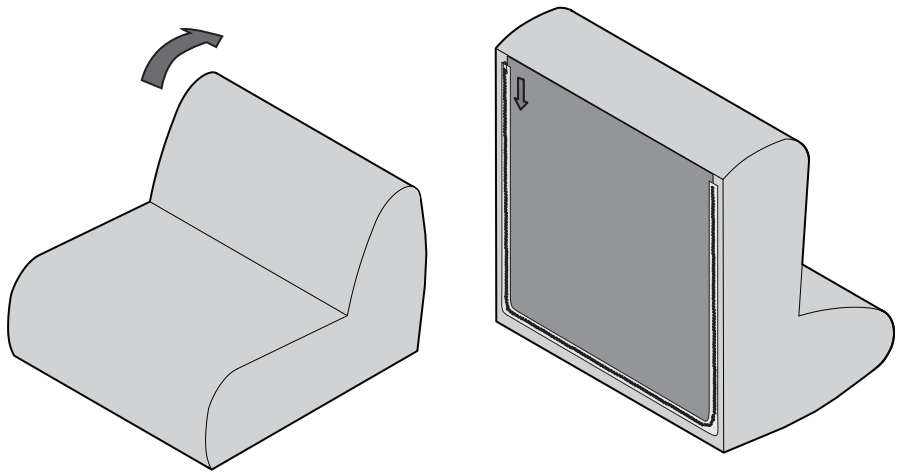
6



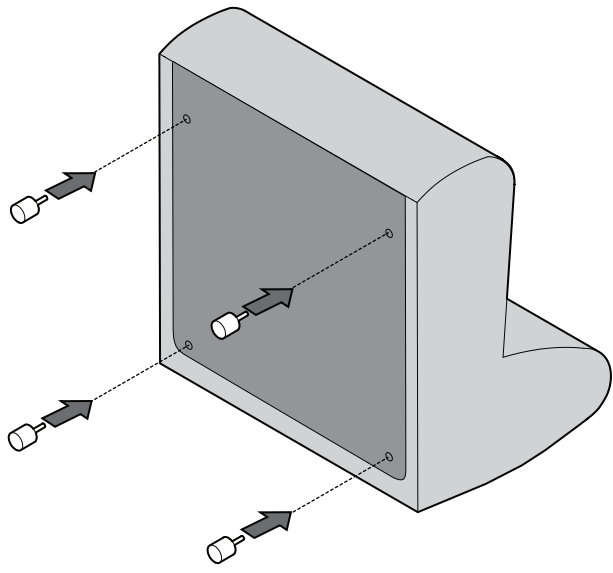
7



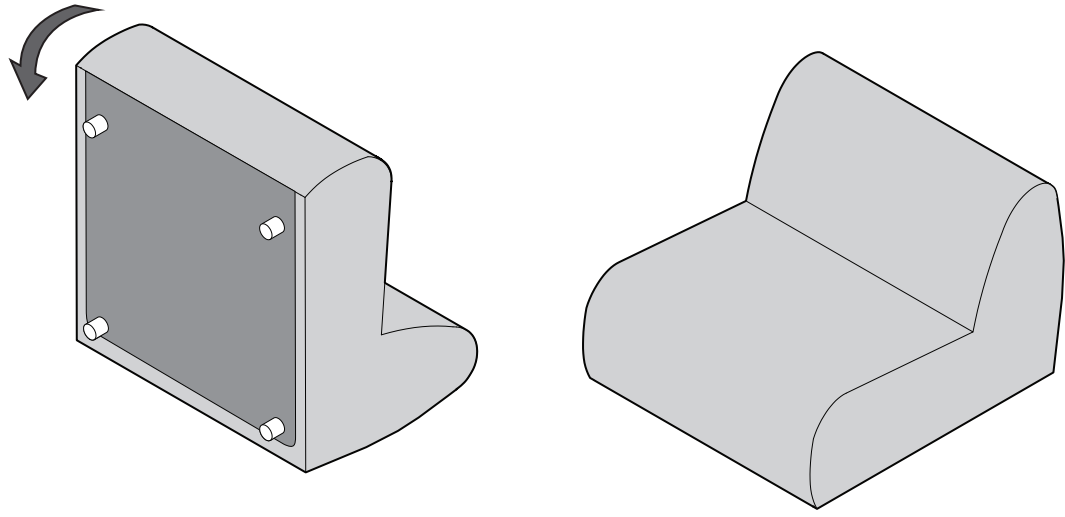
8



9



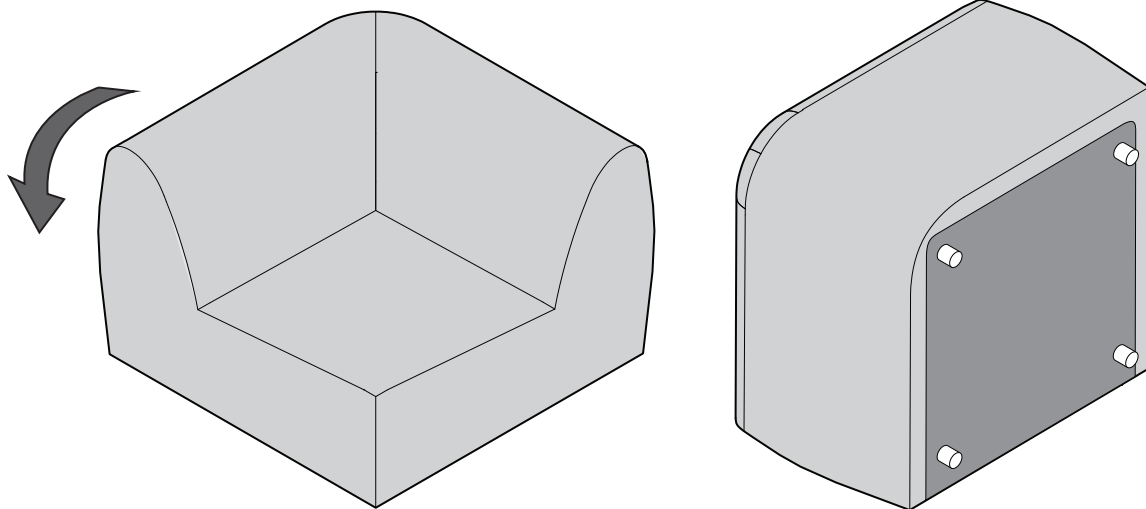
10



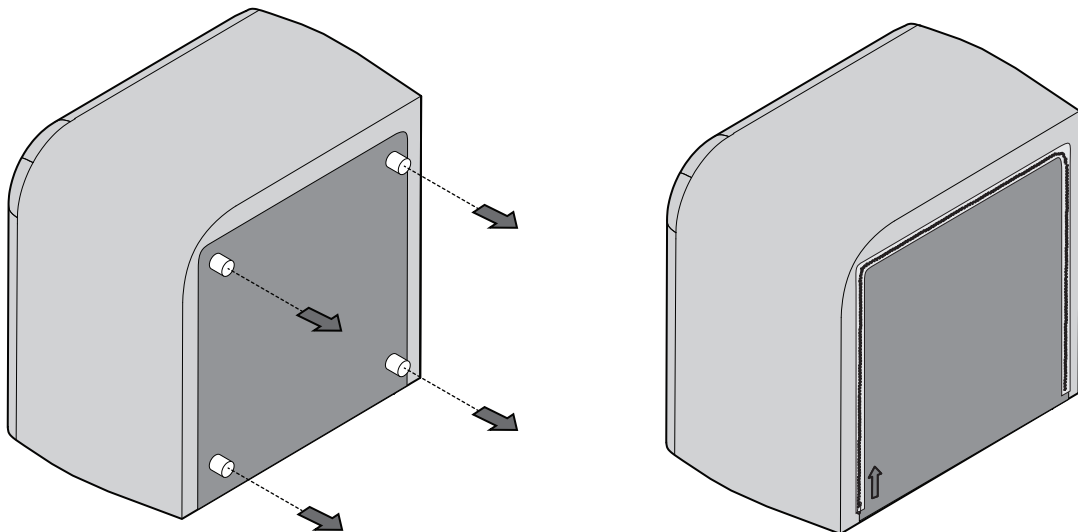


## Corner Cover Removal

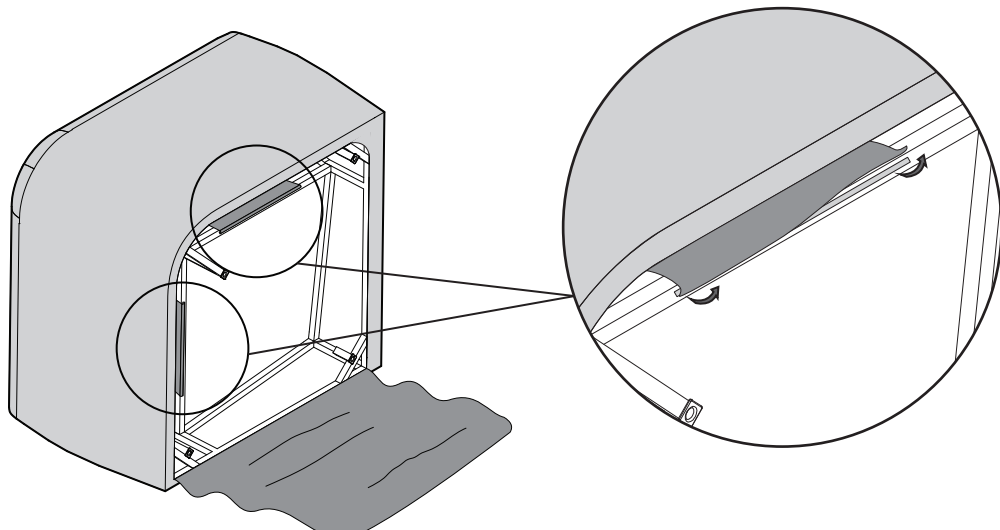
1



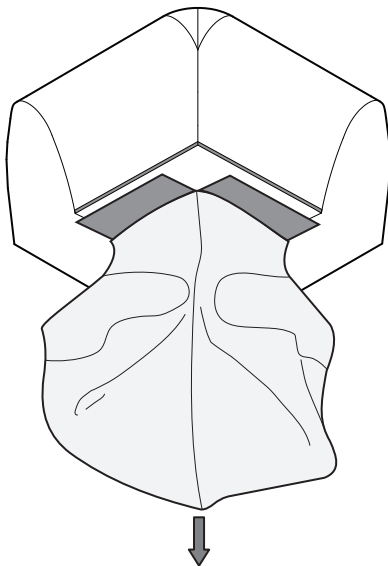
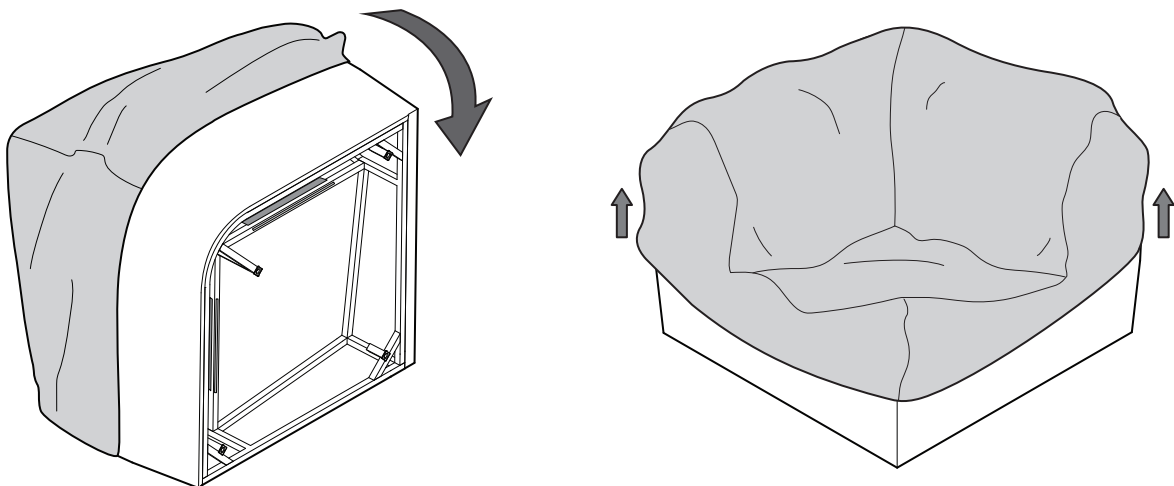
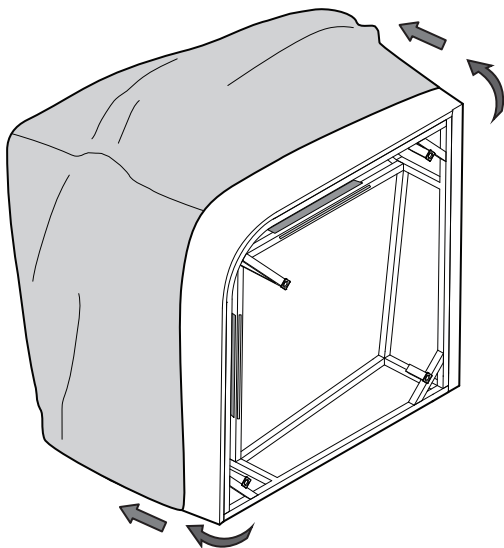
2



3

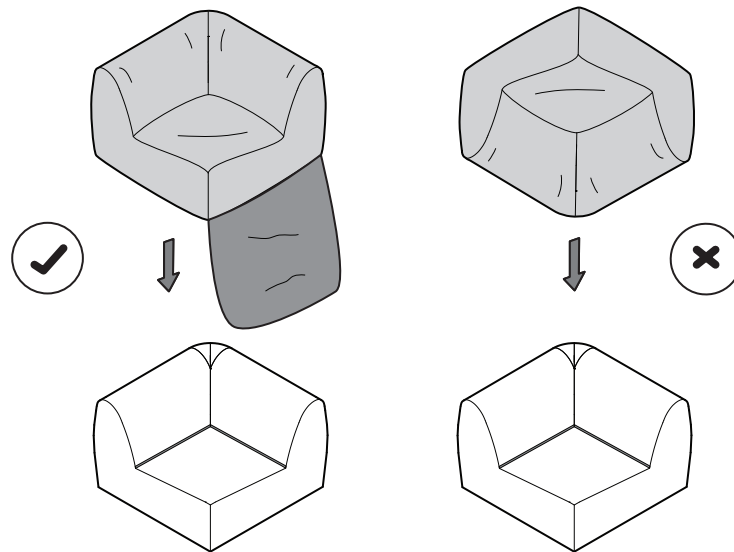


4



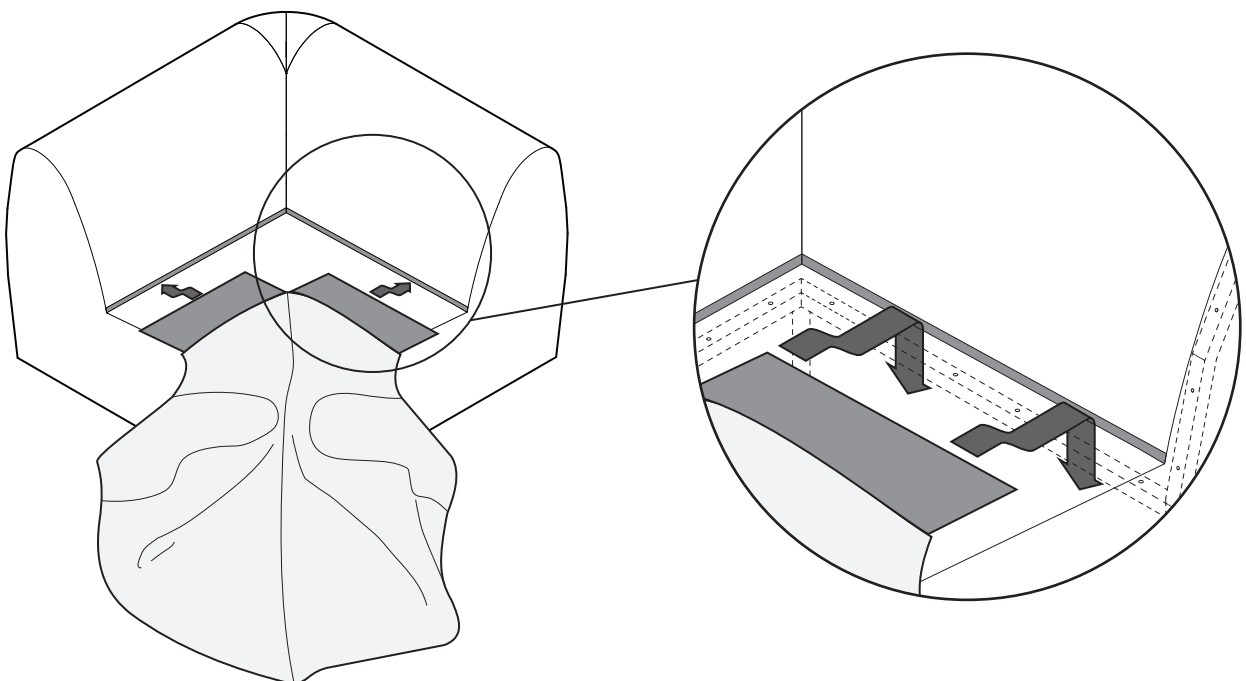
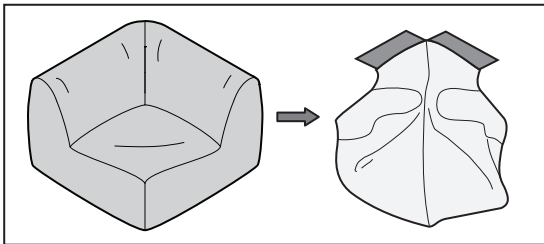
## Corner Cover Installation

1

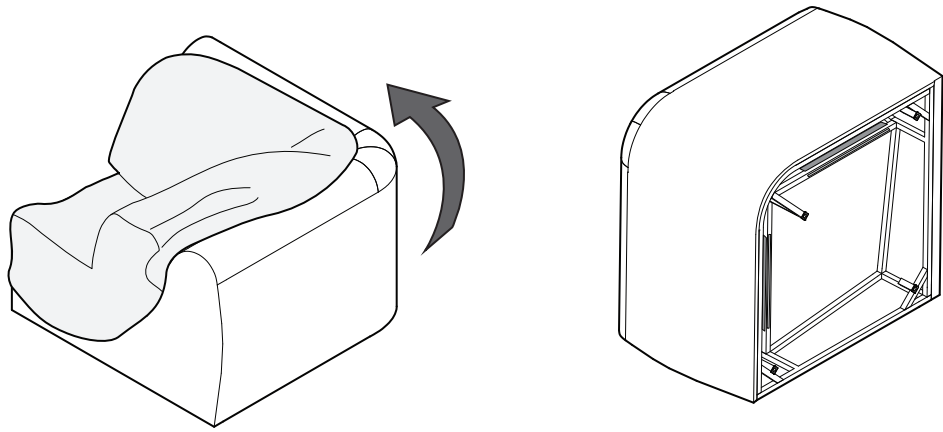


Line up side panels of cover and module before applying cover

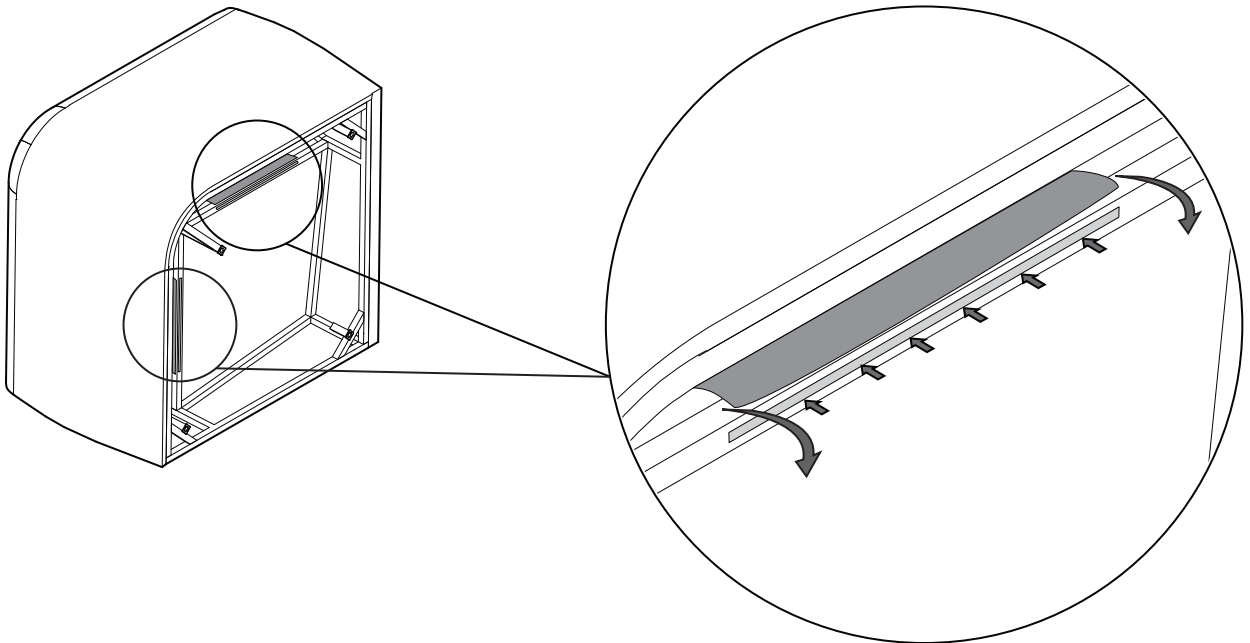
2



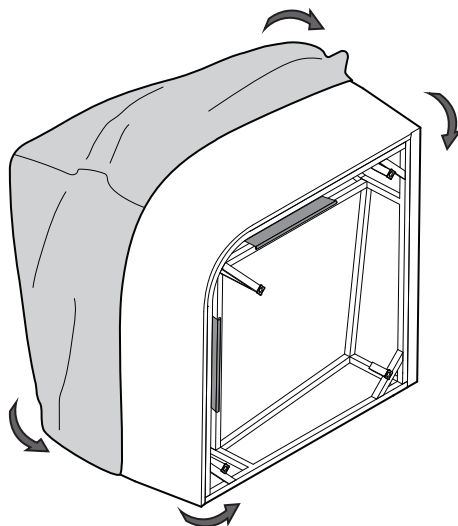
3



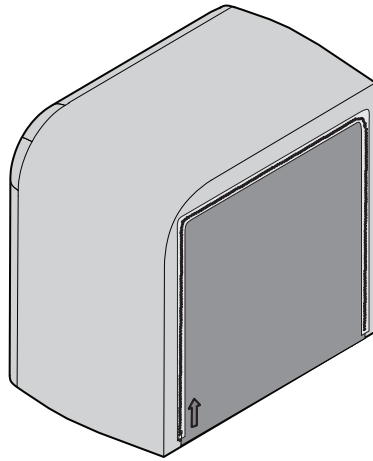
4



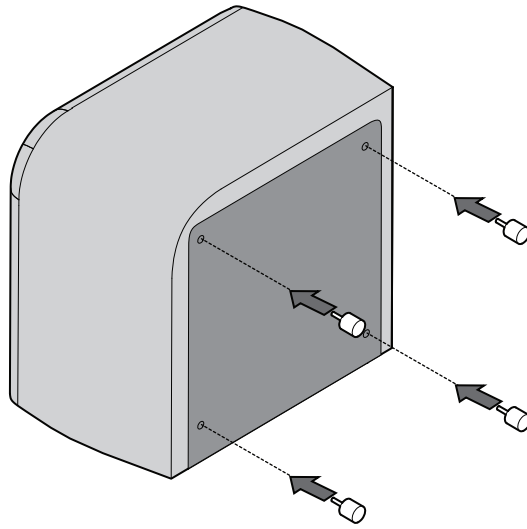
5



6



7



8

